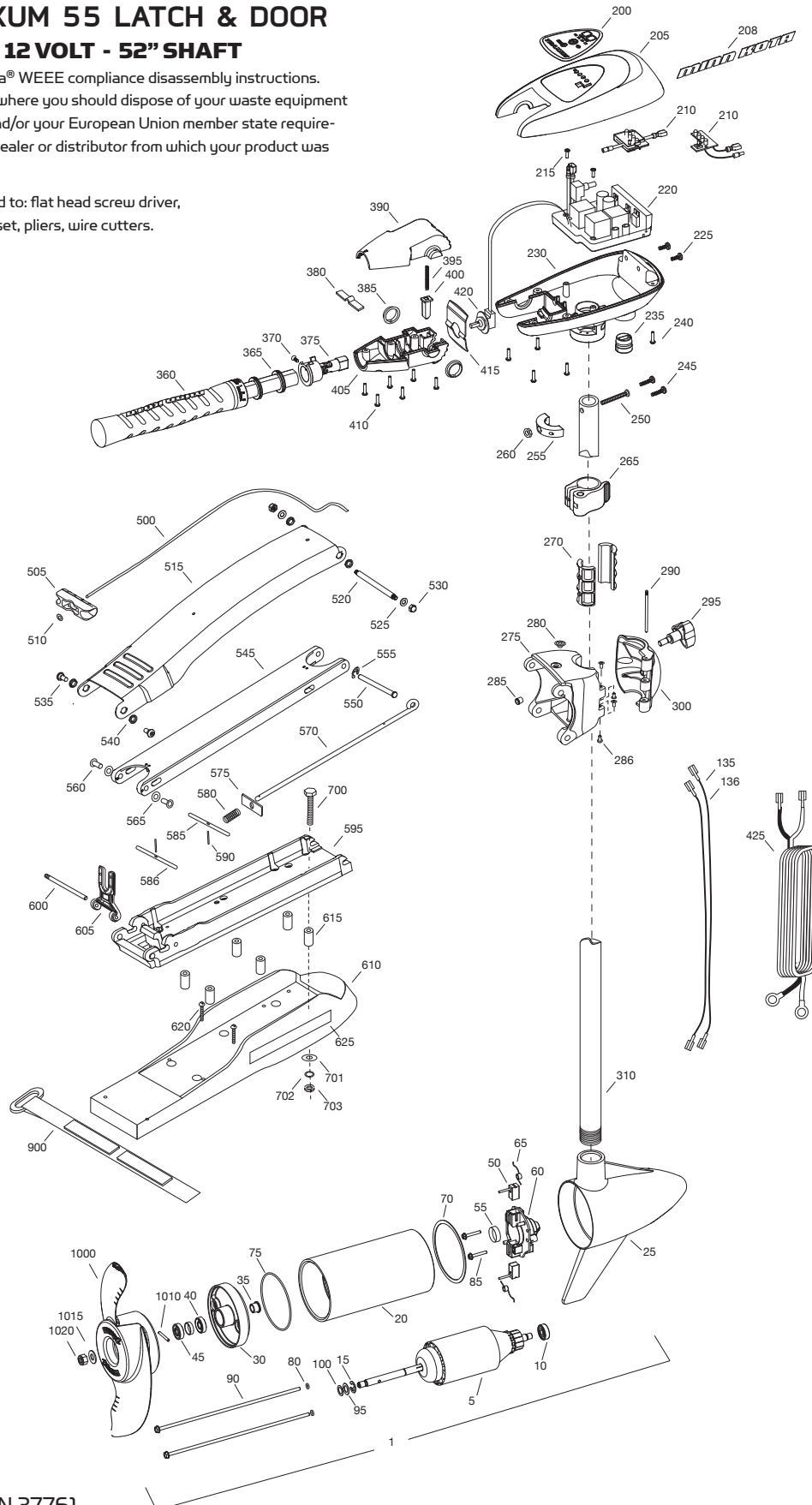


# PARTS DIAGRAM

## RIPTIDE MAXXUM 55 LATCH & DOOR 55 LBS THRUST - 12 VOLT - 52" SHAFT

This page provides Minn Kota® WEEE compliance disassembly instructions. For more information about where you should dispose of your waste equipment for recycling and recovery and/or your European Union member state requirements, please contact your dealer or distributor from which your product was purchased.

Tools required, but not limited to: flat head screw driver, Phillips screw driver, socket set, pliers, wire cutters.



# PARTS LIST

## RIPTIDE MAXXUM 55 LATCH & DOOR 55 LBS THRUST - 12 VOLT - 52" SHAFT

ITEM	QTY	PART NUMBER	DESCRIPTION
1	1	2097095	12V MOTOR 52" SW VARIABLE SPEED
5	1	2-100-121	ARMATURE ASSEMBLY
10	1	140-010	BEARING
15	1	788-015	RETAINING RING
20	1	2-200-301	CENTER HOUSING ASSEMBY
25	1	421-336	BRUSH END HOUSING ASSEMBLY
30	1	2-400-337	PLAIN END HOUSING ASSEMBLY
35	1	144-049	FLANGE BEARING
40	1	880-003	SEAL
45	1	880-006	SEAL WITH SHIELD
50	2	188-036	BRUSH
55	1	725-050	PAPER TUBE
60	1	738-036	BRUSH PLATE ASSEMBLY
65	2	975-040	BRUSH SPRING
70	1	337-036	GASKET
75	1	701-081	O-RING, MOTOR
80	2	701-008	O-RING, THRU-BOLT
85	2	830-007	SCREW, 8-32
90	2	830-042	THRU-BOLT
95	2	990-067	WASHER, STEEL
100	2	990-070	WASHER, NYLATRON
135	1	640-008	LEADWIRE, BLACK
136	1	640-107	LEADWIRE, RED
■		2888460	SEAL AND O-RING KIT
200	1	2195654	DECAL, C-BOX COVER
205	1	2060296	C-BOX COVER
208	2	2325666	DECAL - MINNKOTA
210	1	2074080	BATTERY METER, 12V SW
215	2	2043427	SCREW #8 X 7/8
220	1	2184016	CONTROL BOARD 12 V
■		2888411	POTENTIOMETER REPLACEMENT KIT
225	1	2303434	SCREW, #8-30 X 5/8 SS
230	1	2062538	CONTROL BOX, CAST, SW
235	1	2062905	STRAIN RELIEF
240	6	2303412	SCREW, #6 X 5/8 SS
245	2	2063410	SCREW, #10-32 X 3/4" CAP SS
250	1	2093400	SCREW, #10-24 X 1-7/8" PPH SS
255	1	2061529	COLLAR-CTRL BOX (SW)
260	1	2333101	NUT, 10-24, NYLOCK, SS
265	1	2991521	CAM LOCK/DEPTH COLLAR ASSY
■		2991808	HINGE & DOOR ASSEMBLY [270-300]
270	1	2151532	HINGE SLEEVE
275	1	2991782	HINGE BASE ASSEMBLY
280	2	2232315	EYELET SS
285	1	2264706	INSERT, HINGE BASE
286	4	2236001	BUSHING, NYLINER
290	1	2262642	PIN, HINGE DOOR
295	1	2260902	KNOB, DOOR
300	1	2261859	HINGE DOOR
310	1	2002014	TUBE COMPOSITE 52"
■		2990957	HANDLE ASSY, VARS [360-410]
360	1	2990456	GRIP/HANDLE ASSY, VARS [360-375]
365	2	2060015	BEARING, HANDLE
370	1	2063405	SCREW, #6 PFH SS
375	1	2884092	YOKE / SPIDER ASSY, VARS
380	1	2302742	SPRING, DETENT, OFF

ITEM	QTY	PART NUMBER	DESCRIPTION
385	2	2060005	BEARING, HANDLE PIVOT
390	1	2060900	HANDLE PIVOT, TOP
395	1	2302745	SPRING, RELEASE BUTTON
400	1	2063700	BUTTON, RELEASE
405	1	2060905	HANDLE PIVOT, BOTTOM
410	6	2303412	SCREW, #6 X 5/8 SS
415	1	2062715	SPRING, HANDLE PIVOT
420	1	2061700	POT HOLDER WASHER
425	1	2992522	LEADWIRE ASSY VARIABLE
■		2991845	MOUNT, BOW ASSY W/ BOWGUARD (500-625)
500	1	2251601	ROPE
505	1	2150400	PULL GRIP
510	1	2151700	WASHER
515	1	2264244	ARM, UPPER, STD, SW
520	1	2262604	PIN, BOWGUARD, UPPER
525	2	2261722	WASHER, 5/16", ZP
530	2	2223100	NUT, 5/16-18 SS
535	2	2263500	BOLT, SHOULDER
540	2	2293501	BUSHING, SS
545	1	2994351	ARM, LOWER, STD, SW
550	1	2262622	PIN, CLEVIS ZP
555	1	2263011	E-CLIP
560	2	2267318	BUSHING, NYLINER
565	2	2261708	WASHER, SPACER, .010 THK
570	1	2153603	EYESHAFT
575	1	2262703	SPRING STOP
580	1	2152701	SPRING, LOCK BAR
585	1	2233621	LOCK BAR, FRONT
586	1	2233623	LOCK BAR, BACK
590	2	2152612	SPRING PIN
595	1	2773983	BOWPLATE W/ INSERT, STD, SW
600	1	2260505	HINGE PIN, ZP
605	1	2293811	YOKE, MAX
610	1	2263917	MOTOR REST, STD, SW
615	6	2261505	SPACER, MOTOR REST
620	2	2263434	SCREW, #8, SS
625	2	2065677	DECAL, MOTOR REST
■		2994830	BAG ASSEMBLY
700	6	2263431	SCREW, 1/4-20 X 3 1/2" PPH, SS
701	6	2301720	WASHER, RUBBER MOUNTING
702	6	2261713	WASHER, 1/4 SS
703	6	2263101	NUT, 1/4-20 NYLOCK, SS
900	1	2263804	STRAP, HOLD DOWN
■		1378131	PROPELLER KIT WW2
■		2994875	PROPELLER BAG ASSY
1000	1	2091160	PROPELLER WW2
1010	1	2092600	DRIVE PIN, SMALL
1015	1	2151726	WASHER, PROP, SMALL
1020	1	2198400	NUT, NYLOCK, PROP, ANODE

■ THIS ITEM IS PART OF AN ASSEMBLY.

\*THIS ITEM IS PART OF A KIT AND ONLY LISTED FOR VIEWING PURPOSES.